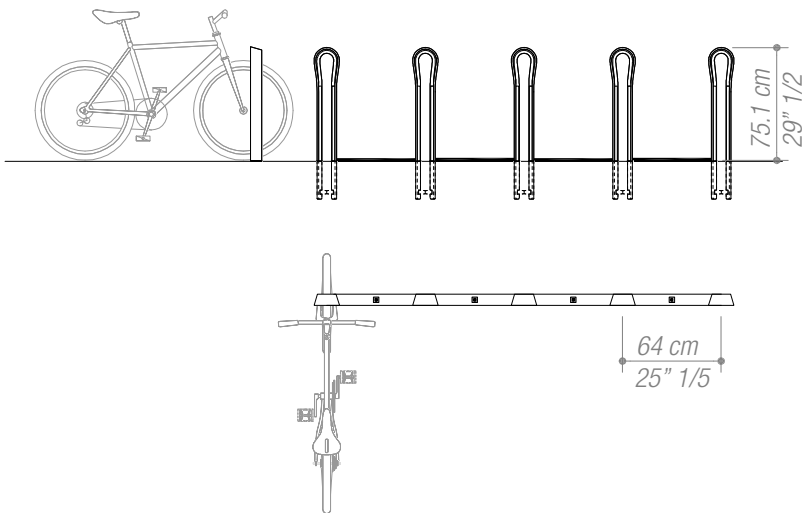


Technology:

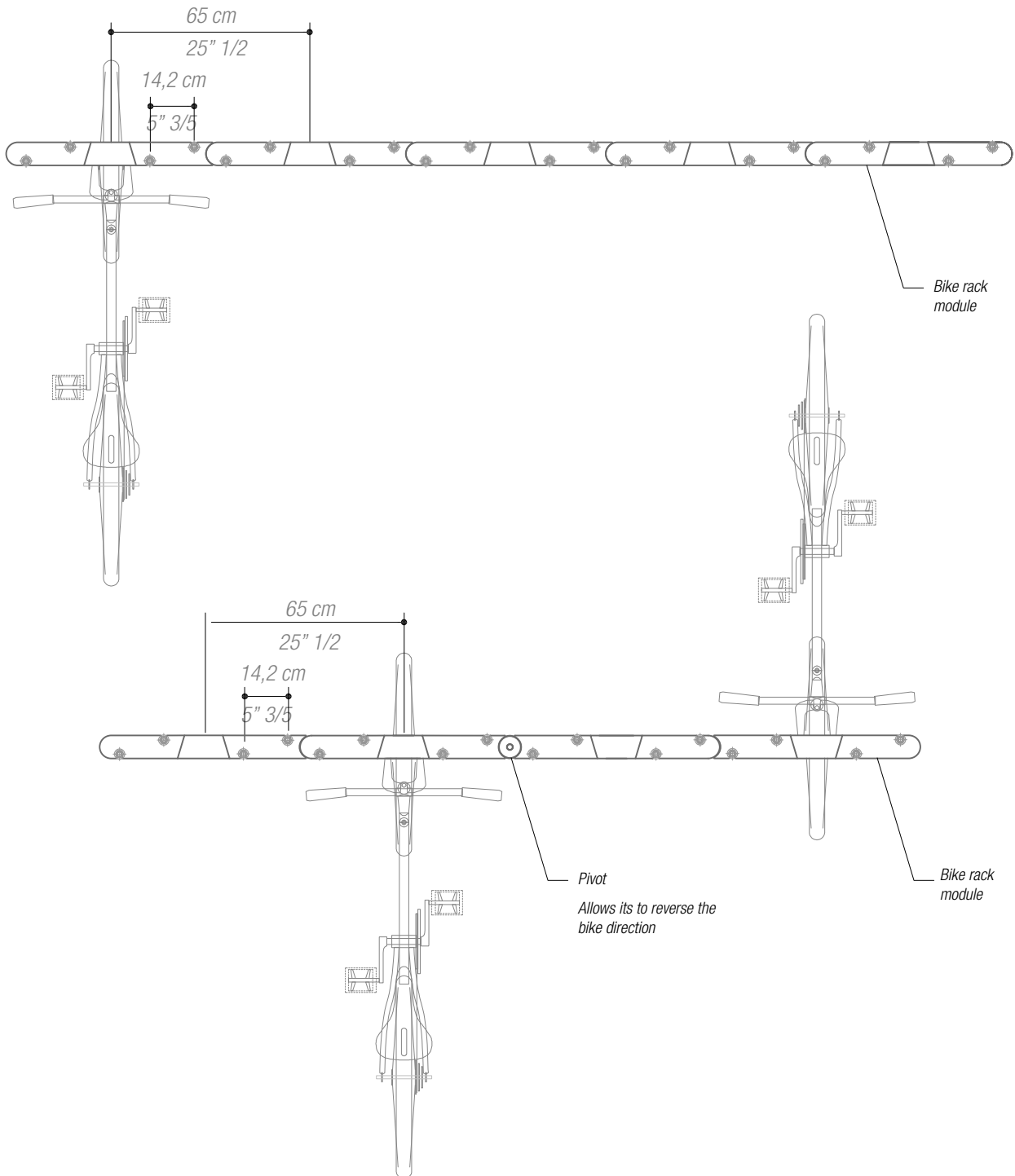
Cast iron.

Finishing:

Polyester thermosetting powder coating.



Module configuration



Module configuration

