

Technology

Precast concrete with added color or natural concrete color.

Available colors

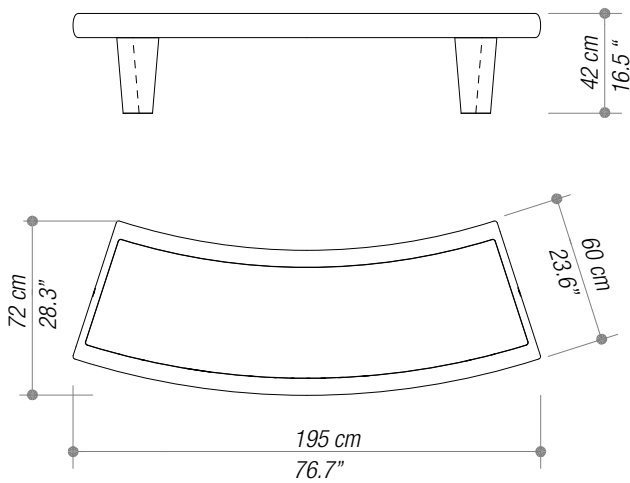
Sand, wet sand and Natural.

Weight

310 kg / 683 lbs

Installation:

Free standing or fixed to ground using chemical anchors.



Measures

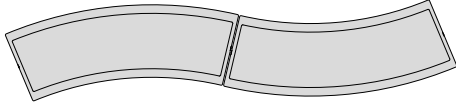
Internal Radius 254cm/560"

External Radius 314cm / 692"

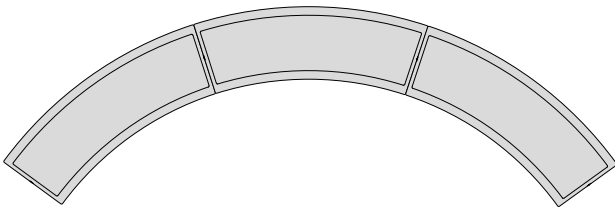


Configuration possibilities for Arenas benches

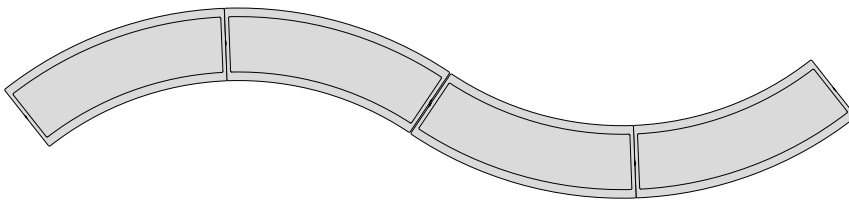
Double



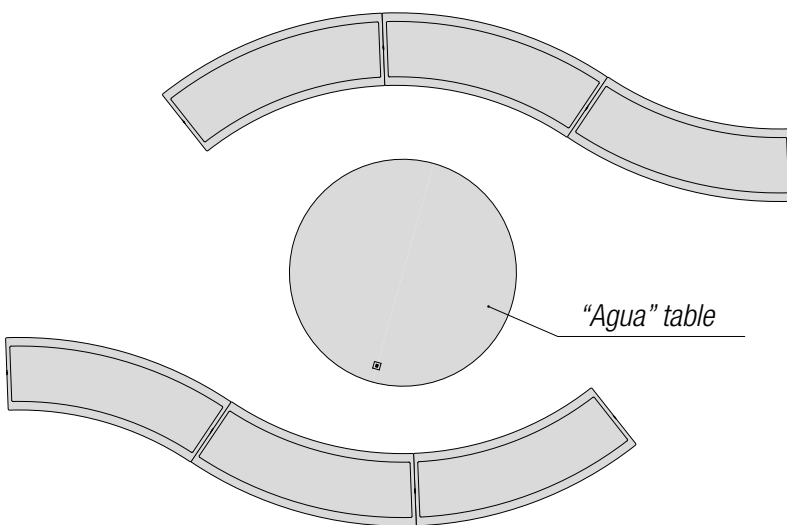
Bow



“S”



Eye



Configuration dialogue with other catalogue elements: Rehué line.

