

"HUELLAS" SEATING SYSTEM | Industrial Model No. 93347

HU

Technology

Procast concrete with colour aggregate.

Available colours

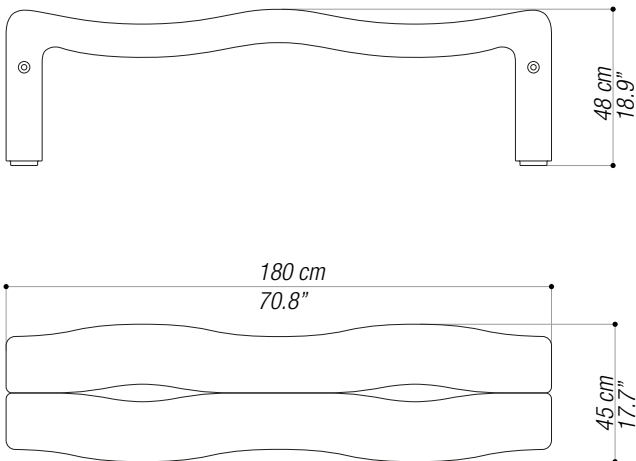
Black, brown and natural concrete

Weight

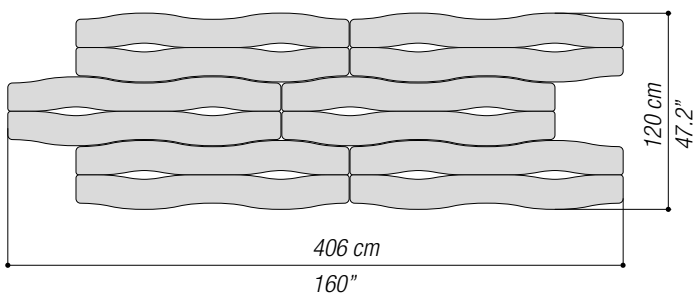
227 Kg / 500 Lbs.

Setting up system

Free standing or fixed to ground using chemical anchors.



Pairable system in 2 or more units



Industrial Model and Design
registered No. 93347

ALL RIGHTS RESERVED TO
ESTUDIO CABEZA®

Scale
unscaled
Date
2019
File
Banco Huellas.dwg



ESTUDIO CABEZA®

Tel 54-11-48332002
Fax 54-11-4833-2002
info@estudiocabeza.com
www.estudiocabeza.com

Pje. Soria 5020
C1414BLD
Buenos Aires
Argentina

"HUELLAS" SEATING SYSTEM | Industrial Model No. 93347

HU

Configuration dialogue with other catalogue items: Rehué line.

"Rehué" seat Low Version

