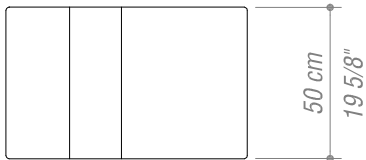


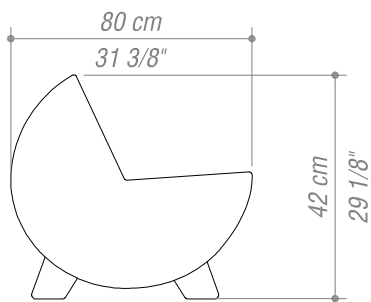
**Technology:**  
Precast concrete with color aggregate.

**Available colors:**  
Black, brown and natural concrete.

**Installation:**  
Free standing.



Top view



Side view

