

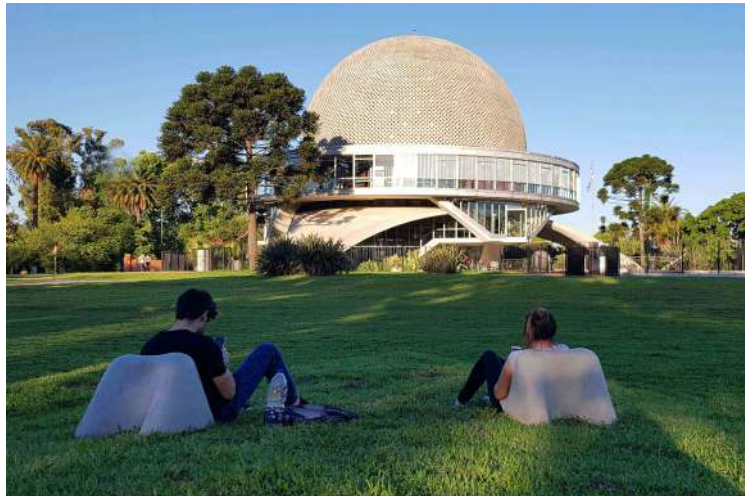
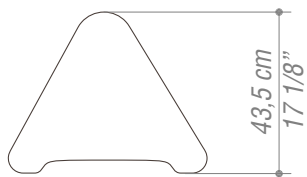
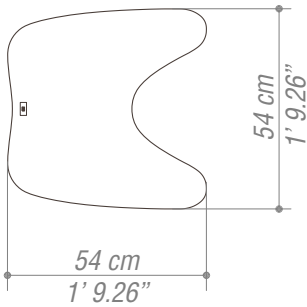
Technology:

Precast concrete with colour aggregate.

Available colors:

Black, brown and natural concrete.

Conversation Version



Contemplation version

